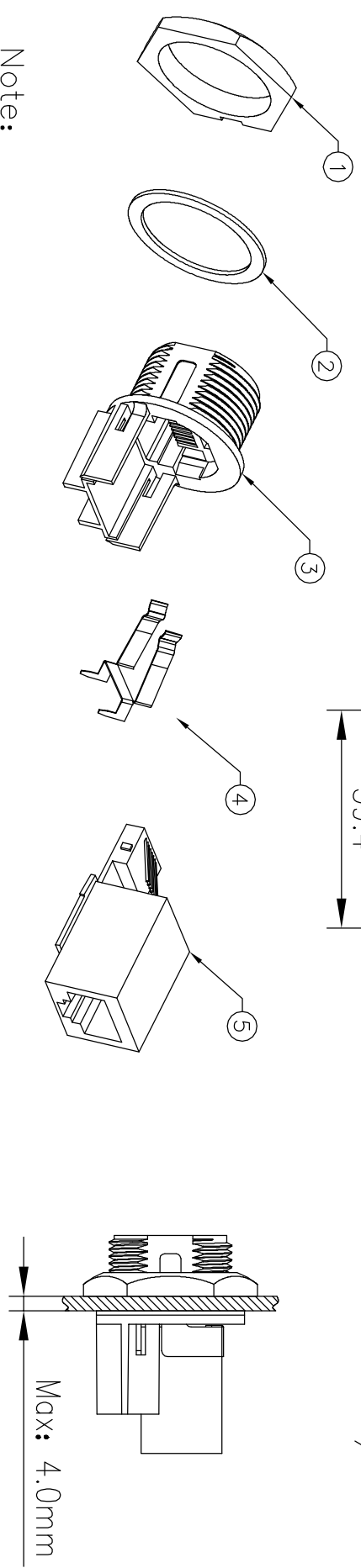
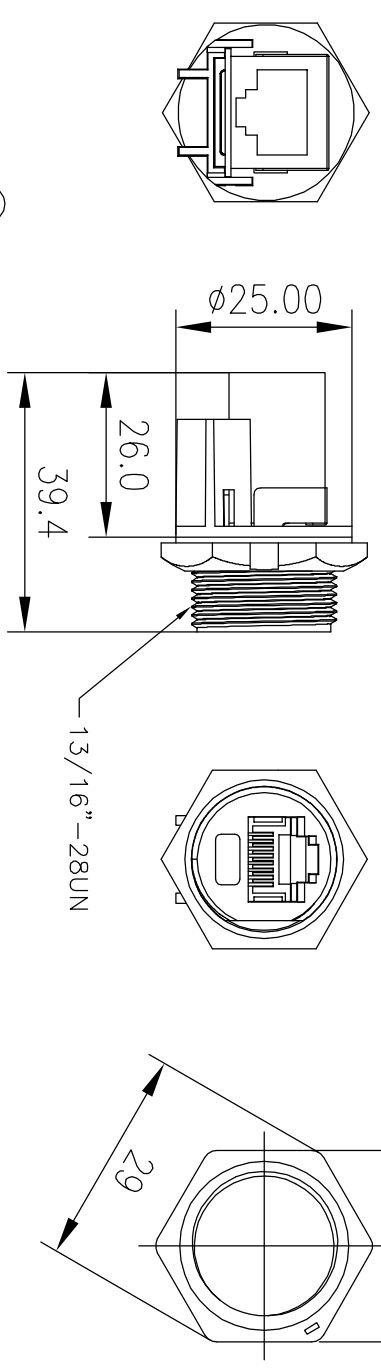
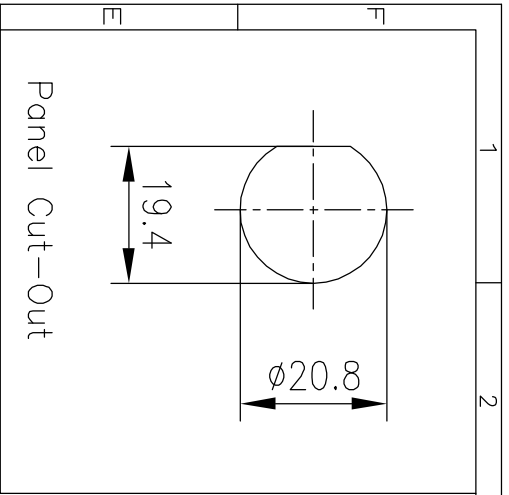


REV.	ECN NO.	DATE	SIGN	DESCRIPTION



Note:
 1、< >important Dimensions To Check
 2、Waterproof:IP67
 3、Panel Thickness≤4.0mm

NO	NAME	COLOR	SPECIFICATION	QTY	NOTE
5	PCBA			1	001
4	Sheet	Silver	Brass, Nickel Plated 50u"	1	
3	Clip Socket	Black	ABS, 94V-0	1	
2	Gasket	Grey	Silicon	1	
1	Nut	Black	Nylon+GF	1	

UNIT:mm		TITLE	RJ45 Panel Screw Conn With Housing (180 degree)		DRAWN BY	Xu Xianming	DATE	02/01/2012			
TOLERANCE		SCALE	Free	SHEET	1	OF	1	CHECKED BY	Lee	DATE	02/01/2012
±0.5 mm		REV.	A	SIZE	A4		Inspection Item	APPROVED BY	Panson	DATE	02/01/2012

CHOGORI