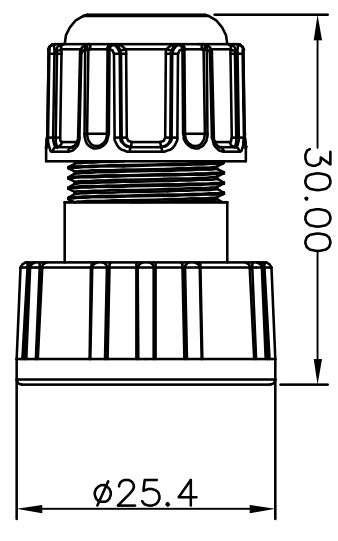
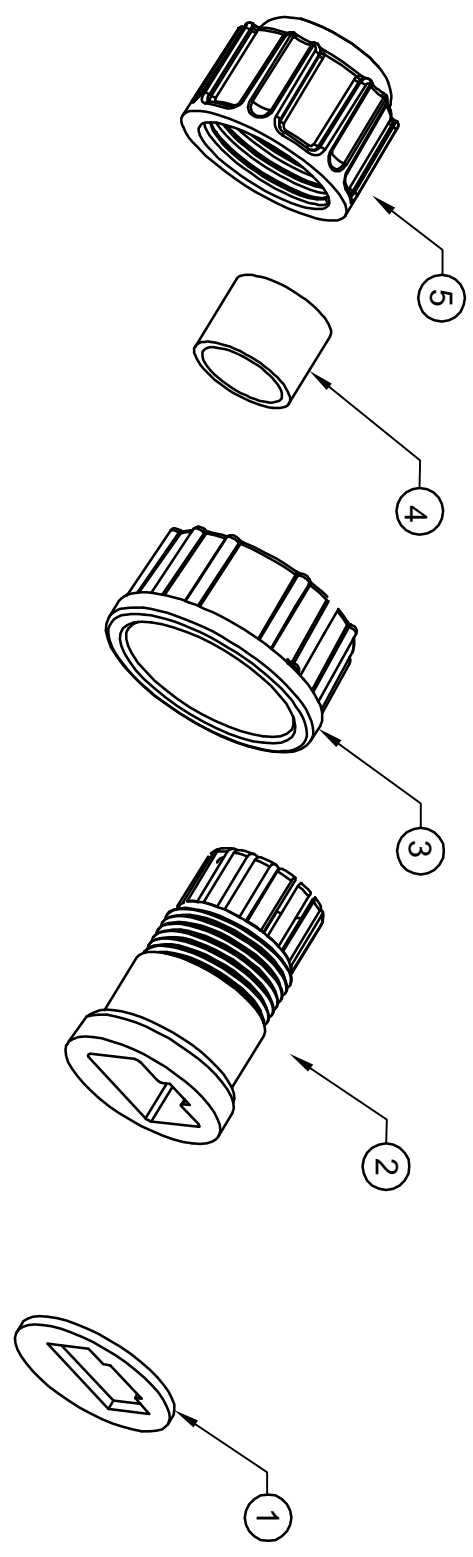


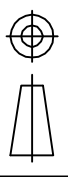
REV.	ECH NO.	DATE	SIGN	DESCRIPTION



NO.	NAME	COLOR	SPECIFICATION	QTY	NOTE
5	Sealing Nut	Black	PA66,21SPC,UL94V-2	1	
4	Seals	Black	Silicon(ASTM D2000)	1	
3	Nut	Black	PA66,21SPC,UL94V-2	1	
2	Clamp Ring	Black	PA66,21SPC,UL94V-2	1	
1	Gasket	Black	EPDM(E7001)	1	

Waterproof: IP67

TITLE  
RJ45 Screw Type Male Plug



UNIT:mm  
TOLERANCE  
**±0.5 mm**

SCALE  
Free  
REV. A  
SIZE A4  
SHEET 1 OF 1  
QC : Inspection Item

**CHOGORI**

ITEM NO	DWG NO	CUSTOMER	DRAWN BY	CHECKED BY	APPROVED BY	DATE
34000000-03			Gong shenglong			2012-11-28