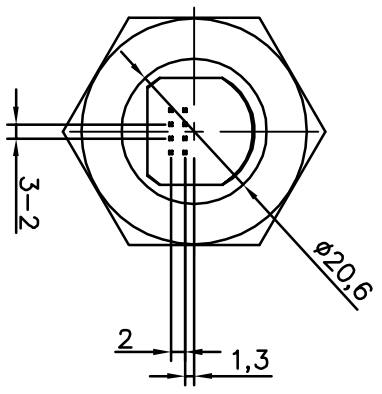
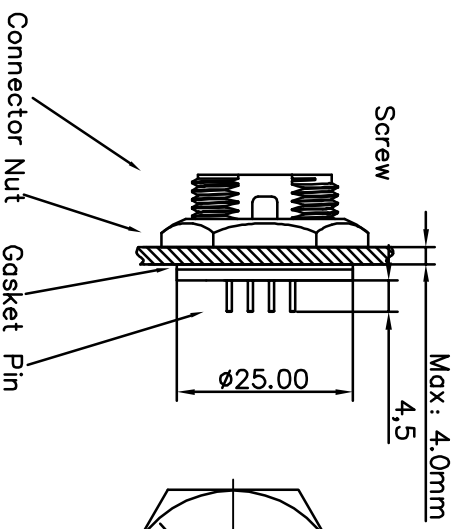
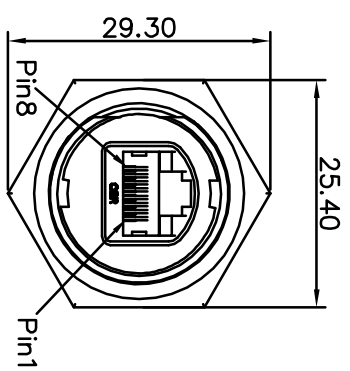
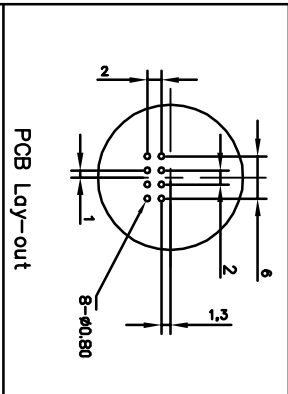
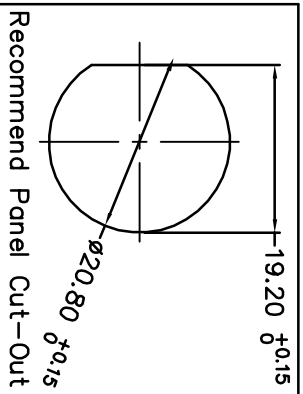
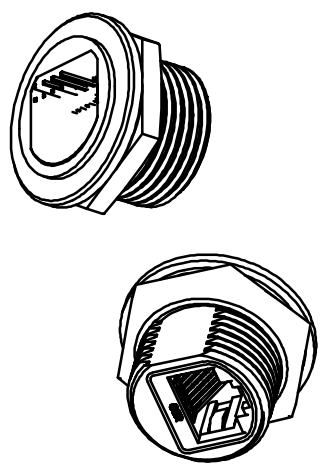
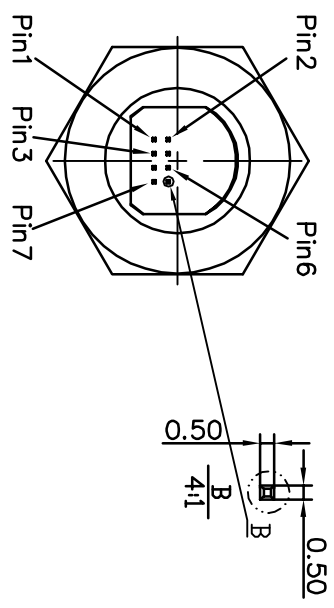


ECN	DESCRIPTION	DATE



Note:

- * Gasket:Silicone
- * Waterproof(Mated):IP67
- * Nut:Nylon+GF
- * Connector:Nylon,With UL-94 Status
- * Recommend Torque:1-2N.m
- * Cable:Compliant CAT 5E
- * Contact:Brass,Nickel plating



UNIT:mm	TITLE
TOLERANCE	RJ45 Series For PCB Type
.X	SCALE
.XX	1 : 1
.XXX	SHEET
ANGLES	1 OF 1
±1°	REV
	C
	SIZE
	A4
	Inspection Item

CHOGORI

ITEM NO	33000000-07	DRAWN BY	Key.Gong	DATE	03/19/2013
DWG NO		CHECKED BY			
CUSTOMER		APPROVED BY			