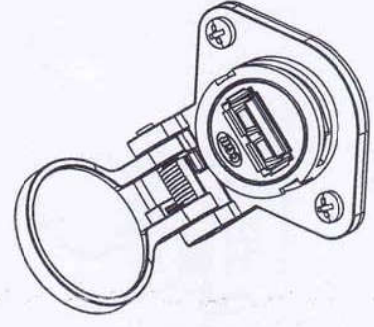
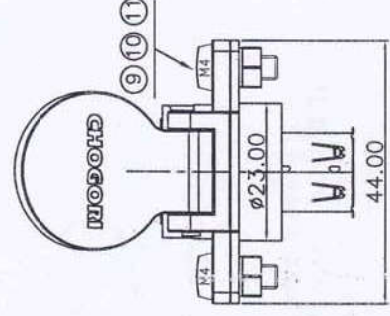
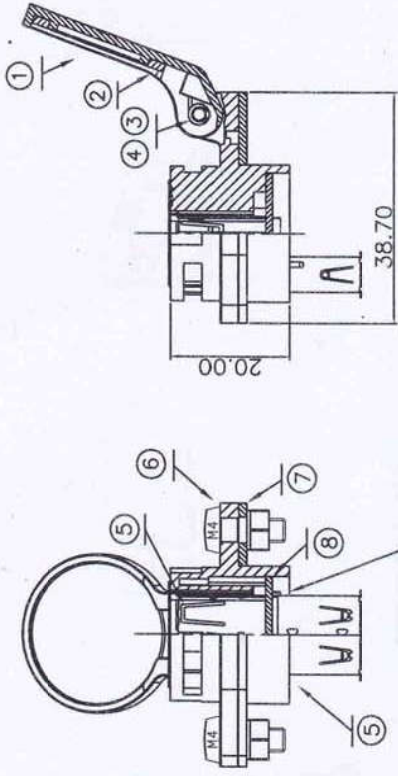
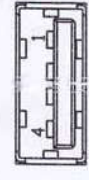
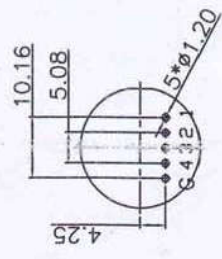
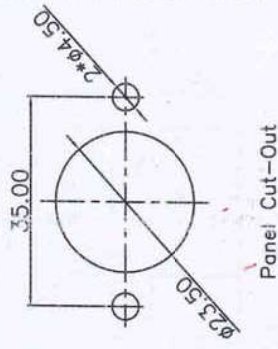


1	2	3	4	5	6	7	8
REV.	ECN NO.	DESCRIPTION					DATE



胶水Epoxy Casting:
东莞利多双组分环氧树脂
Dongguan LIDUO

- NOTE:
- ① Important Dimension To Check.
 - Contact Resistance: $\leq 30m\Omega$
 - Breakdown Voltage: $\geq 500V/1Minute$
 - Insulation Resistance: $\geq 1000M\Omega$
 - Temperature Rating: $-45^{\circ}C \sim +85^{\circ}C$
 - Panel Thickness $\leq 3.0mm$
 - RoHS

11	403-00001-00	2	不锈钢螺丝弹垫
10	402-00001-00	2	不锈钢螺丝螺母
9	401-00002-00	2	不锈钢螺丝头(十字圆头)
8	903-00033-00	1	USB2.0-PCB板-0929面板02款(母对母)
7	503-00004-00	1	菱形USB法兰垫片
6	106-00128-00	1	USB快速款菱形法兰母座
5	901-00009-00	2	USB AF 180 L15.0
4	406-00005-00	1	Large 转轴扭簧 304材质
3	404-00001-00	1	不锈钢螺花钉 304材质 2*20.3
2	503-00030-00	1	203 法兰防护盖垫片(薄)
1	111-00036-50	1	菱形法兰翻盖

No.	Material No.	Q'ty	Material Description	Remark
-----	--------------	------	----------------------	--------

CHOGORI
深圳乔合里科技有限公司

UNIT:mm	TITLE
TOLERANCE X .XX .XXX ANGLES ±1	USB A Type Female Conn. Lock Panel (Rhombus), USB A to USB A
SCALE	SHEET 1 OF 1
REV. D1	SIZE A4
	QC:Inspection Item

PART NO	34004626-01	DRAWN BY	Xianming Xu	DATE	2013-04-02
DWG NO		CHECKED BY	李强	DATE	20130410
CUSTOMER		APPROVED BY		DATE	

材料表