

New!

PQ series

Stainless steel keypads with square keys

Distinctive features and specifications

KBD-PQ-1707



- Flush keys
- Rear mounting
- 12.5 or 15 mm square keys
- Panel sealed to IP65
- Custom markings on request

ENVIRONMENTAL SPECIFICATIONS

- Front panel sealing : IP65 according to DIN 40050-9
- Operating temperature : -20 °C to +70 °C
- Storage temperature : -40 °C to +85 °C
- Impact resistance : IK07 according to EN 50102
- Flame resistance : 30 seconds. With lighters, matches, cigarettes (vertical position with direct flame on keys)
- Salt spray : 96 hours according to IEC 512-6, test 11f
- Washable : most commonly used detergents and solvents

ELECTRICAL SPECIFICATIONS

- Output type : matrix (NO contacts)
- Max. current/voltage rating with resistive load : 50 mA 12 VDC
- Initial contact resistance ON : 10 Ω max.
- Insulation resistance : 1 G Ω min. at 500 VDC
- LED backlight : 12 VDC (standard version)

GENERAL SPECIFICATIONS

- Contact force :
 - 4 N \pm 0,5 N (non-illuminated version)
 - 3,5 N \pm 0,5 N (illuminated version)
- Stroke : 0,5 mm
- Low level or mechanical life : 1 million cycles
- Panel thickness : 2 mm (standard version)
- Connection : male connector

MATERIALS

- Frame : 304 stainless steel
- Keytops : 316L stainless steel
- Key holders : ABS UL V0
- PCB : FR4
- Seal : silicone
- Contacts : gold plated

AVAILABLE ON REQUEST

- Front mounting

Dimensions : First dimensions are in mm while inches are shown as bracketed numbers.

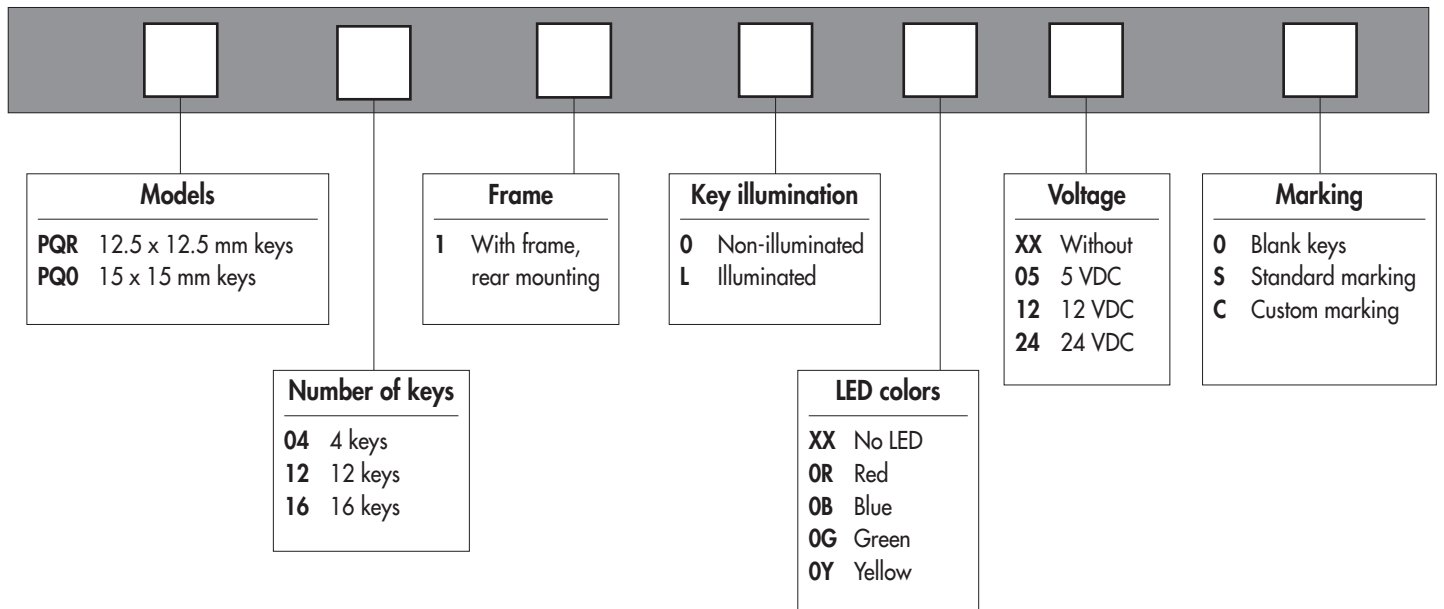
The company reserves the right to change specifications without notice.

PQ series

Stainless steel keypads with square keys

New!

Models



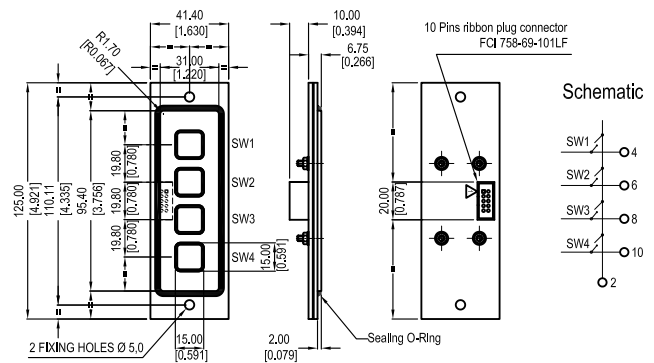
Some configurations are shown below and on the following pages. Other drawings are available on request.

PQ0 - 15 mm square keys - 4-key model



NON-ILLUMINATED
PQ004100

Customer panel CUT-OUT: (Panel thickness from 1,5 to 2,0 mm) 95,9 x 31,5 R=1,95

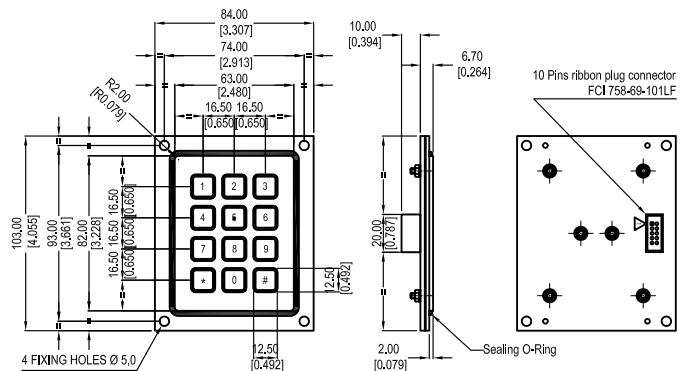


PQ0 - 15 mm square keys - 12-key model



NON-ILLUMINATED
PQ01210S

Customer panel CUT-OUT: (Panel thickness from 1,5 to 2,0 mm) 82,5 x 63,5 R=2,25



New!

PQ series

Stainless steel keypads with square keys

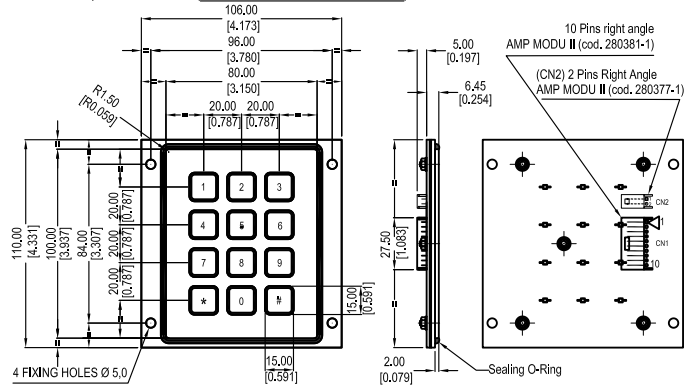
Models

PQ0 - 15 mm square keys - 12-key model



ILLUMINATED
PQ0121L0B12S

Customer panel CUT-OUT: (Panel thickness from 1,5 to 2,0 mm) 100,5 x 80,5 R=1,75

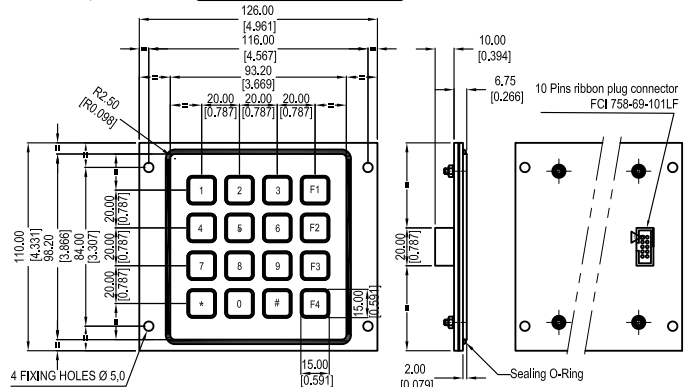


PQ0 - 15 mm square keys - 16-key model



NON-ILLUMINATED
PQ01610S

Customer panel CUT-OUT: (Panel thickness from 1,5 to 2,0 mm) 93,7 x 98,7 R=2,75

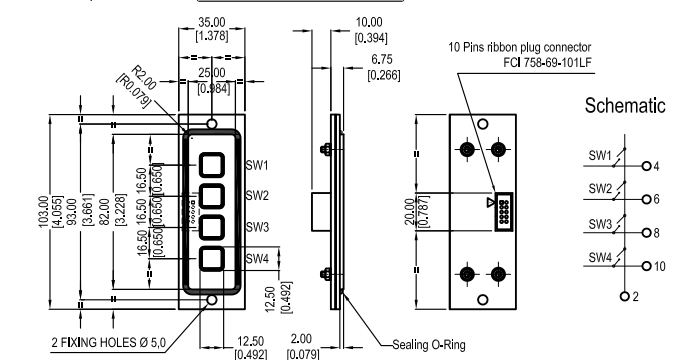


PQR - 12.5 mm square keys - 4-key model



NON-ILLUMINATED
PQR04100

Customer panel CUT-OUT: (Panel thickness from 1,5 to 2,0 mm) 82,5 x 25,5 R=2,25

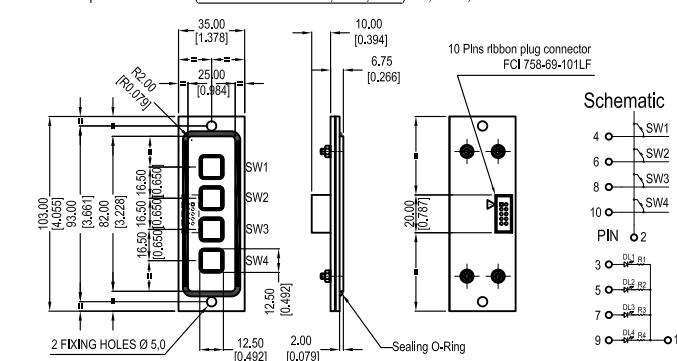


PQR - 12.5 mm square keys - 4-key model



ILLUMINATED
PQR041L0Y120

Customer panel CUT-OUT: (Panel thickness from 1,5 to 2,0 mm) 82,5 x 25,5 R=2,25



PQ series

Stainless steel keypads with square keys

New!

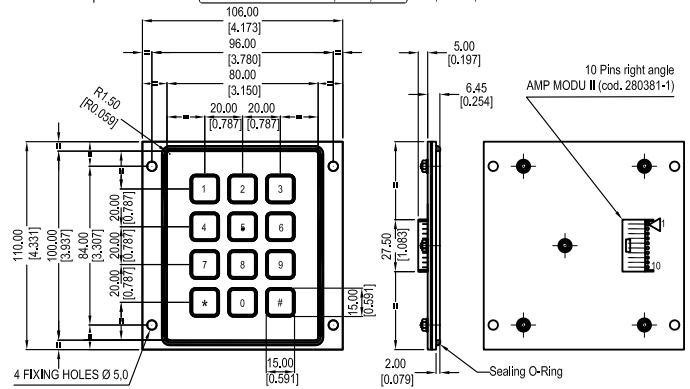
Models

PQR - 12.5 mm square keys - 12-key model

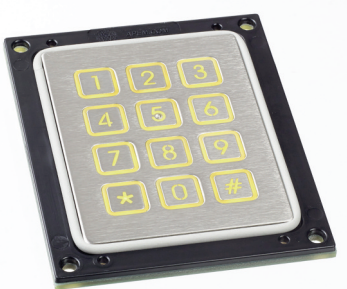


NON-ILLUMINATED
PQR1210S

Customer panel CUT-OUT: (Panel thickness from 1.5 to 2.0 mm) 100,5 x 80,5 R=1.75

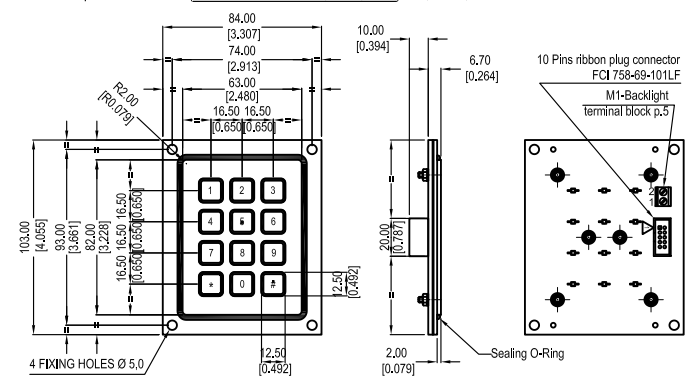


PQR - 12.5 mm square keys - 12-key model



ILLUMINATED
PQR12110Y12S

Customer panel CUT-OUT: (Panel thickness from 1.5 to 2.0 mm) 82,5 x 63,5 R=2.25

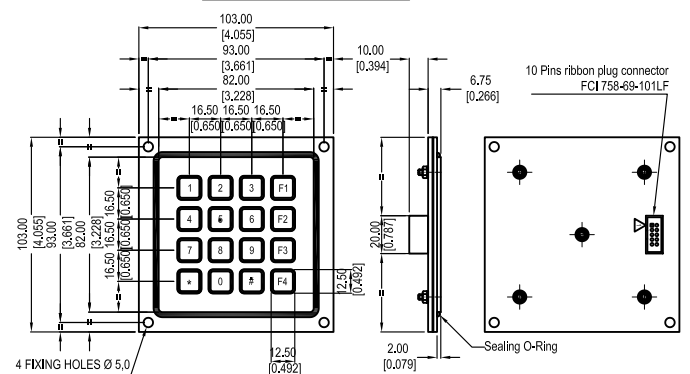


PQR - 12.5 mm square keys - 16-key model



NON-ILLUMINATED
PQR1610S

Customer panel CUT-OUT: (Panel thickness from 1.5 to 2.0 mm) 82,5 x 82,5 R=2.25



PQR - 12.5 mm square keys - 16-key model



ILLUMINATED
PQR16110Y12S

Customer panel CUT-OUT: (Panel thickness from 1.5 to 2.0 mm) 82,5 x 82,5 R=2.25

