

## | 7855 SERIES

### 175 TO 200 AMP COMMERCIAL THERMAL CIRCUIT BREAKER

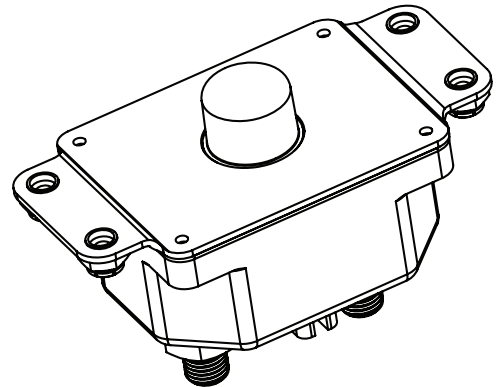
#### Introduction

The KLIXON® 7855 series thermal breaker are designed to meet the harshest environmental requirements. The 7855 series breakers are weatherproof for protection against moisture, dust, grease, fuel vapors and other harsh environments. The 7855 series breakers are designed to interrupt short circuits or overloads and combine trip free protection with fast response time. The 7855 series of breakers typical applications are protection of wire and cable of accessory circuits, military vehicles, lift gates, and recreational vehicles.



#### Features

- 30VDC, 175 to 200 Amps
- Sealed assemblies, manual and automatic reset options
- Ignition protected
- 7855-6 meets CID A-A-55571/03 specifications
- 7855-7 meets CID A-A-55571/08 specifications



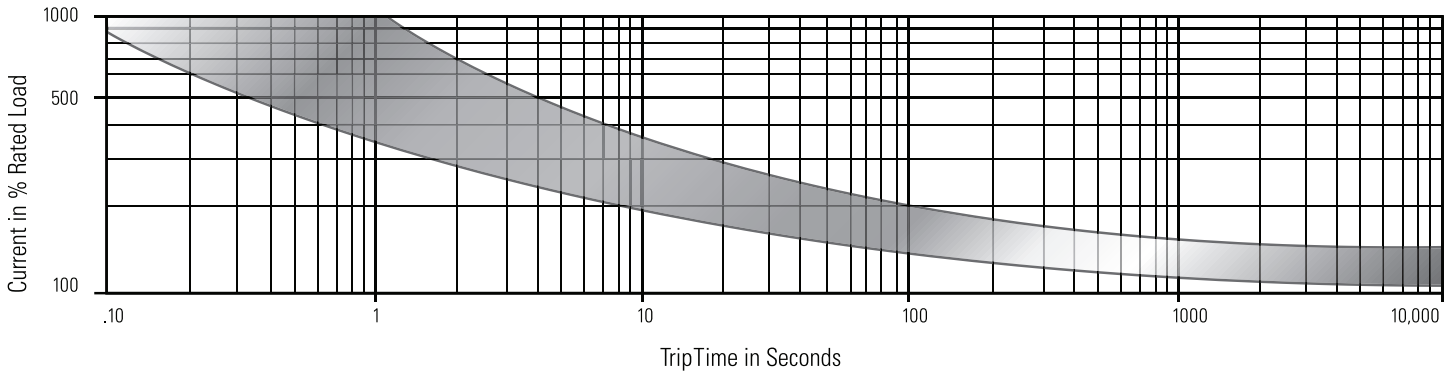
#### SPECIFICATIONS

<b>Calibration : 200% rated current, 77°F (25°C)</b>	8 to 100 seconds
<b>Ultimate Trip At 77°F (25°C)</b>	Must hold 100%, Must trip 138%
<b>Endurance</b>	Manual 500 cycles @ 200% Automatic 2000 cycles @ 200%
<b>Interrupt Current Capacity</b>	Per SAE J1625, 900A
<b>Vibration</b>	10G MIL-STD-202 Method 204, Condition A
<b>Dielectric Strength</b>	MIL-STD-202, Method 301, 1500VAC min
<b>Insulation Resistance</b>	e MIL-STD-202, Method 302, Condition B, 100 MΩ min
<b>Weight</b>	ht 7855-6 : 241 grams max 7855-7 : 237 grams max



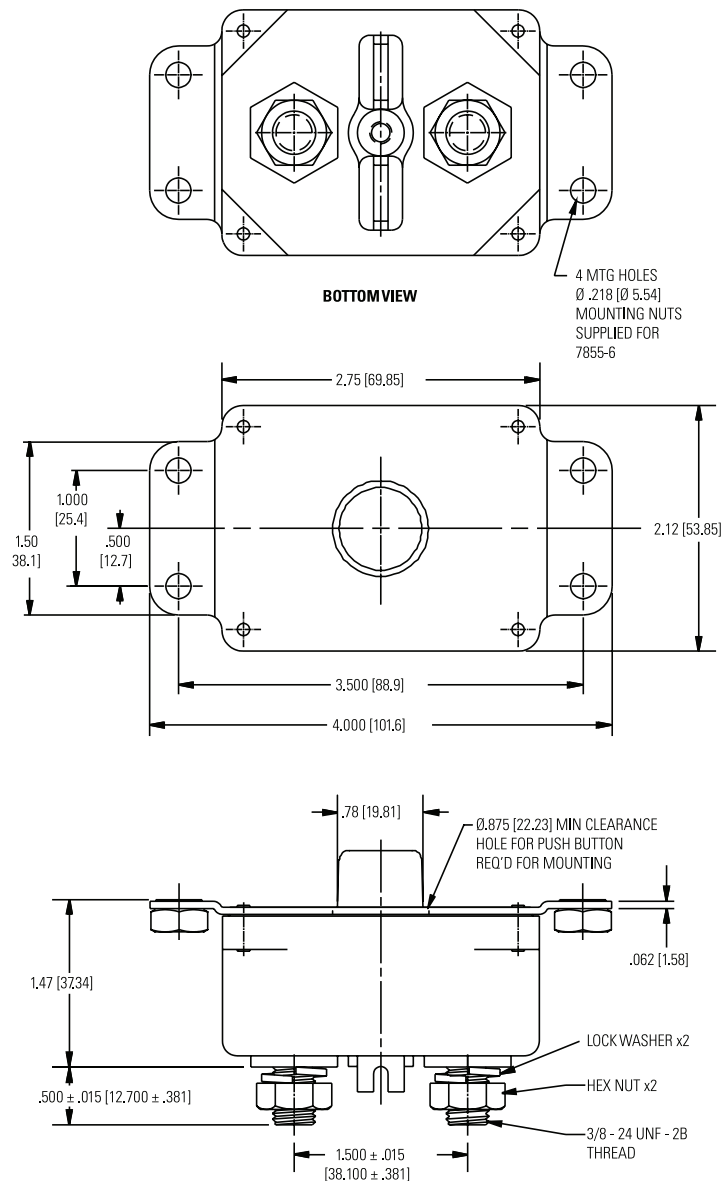
# TRIP CURVE

## Approximate Time, Current Characteristics At 77°F (25°C)



# DIMENSIONS

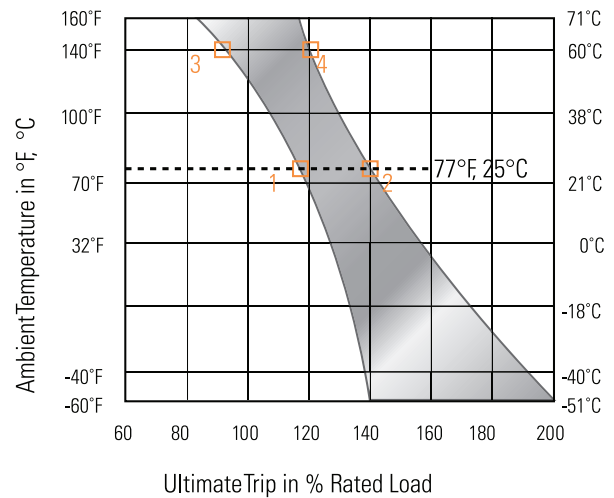
All dimensions are in inches [mm]





## DERATING CURVE

Performance characteristics are based on room temperature (77°F, 25°C). Consult Derating curve for ambient temperatures significantly higher or lower than standard room temperature. Example: At 77°F (25°C) the device is calibrated to hold at 110% of rated current (1) and trip at 138% of rated current (2). At 140°F (60°C), the same device will hold at approximately 92% of rated current (3), and trip at approximately 120% of rated current (4).



## ORDERING OPTIONS

Example : 7855-6-175

### Configuration

**7855-6:** Manual, sealed  
**7855-7:** Auto, sealed

### Amp Rating

175  
 200

7855-6

175

Sensata Technologies, Inc. ("Sensata") data sheets are solely intended to assist designers ("Buyers") who are developing systems that incorporate Sensata products (also referred to herein as "components"). Buyer understands and agrees that Buyer remains responsible for using its independent analysis, evaluation and judgment in designing Buyer's systems and products. Sensata data sheets have been created using standard laboratory conditions and engineering practices. Sensata has not conducted any testing other than that specifically described in the published documentation for a particular data sheet. Sensata may make corrections, enhancements, improvements and other changes to its data sheets or components without notice.

Buyers are authorized to use Sensata data sheets with the Sensata component(s) identified in each particular data sheet. HOWEVER, NO OTHER LICENSE, EXPRESS OR IMPLIED, BY ESTOPPEL OR OTHERWISE TO ANY OTHER SENSATA INTELLECTUAL PROPERTY RIGHT, AND NO LICENSE TO ANY THIRD PARTY TECHNOLOGY OR INTELLECTUAL PROPERTY RIGHT, IS GRANTED HEREIN. SENSATA DATA SHEETS ARE PROVIDED "AS IS". SENSATA MAKES NO WARRANTIES OR REPRESENTATIONS WITH REGARD TO THE DATA SHEETS OR USE OF THE DATA SHEETS, EXPRESS, IMPLIED OR STATUTORY, INCLUDING ACCURACY OR COMPLETENESS. SENSATA DISCLAIMS ANY WARRANTY OF TITLE AND ANY IMPLIED WARRANTIES OF MERCHANTABILITY, FITNESS FOR A PARTICULAR PURPOSE, QUIET ENJOYMENT, QUIET POSSESSION, AND NON-INFRINGEMENT OF ANY THIRD PARTY INTELLECTUAL PROPERTY RIGHTS WITH REGARD TO SENSATA DATA SHEETS OR USE THEREOF.

All products are sold subject to Sensata's terms and conditions of sale supplied at [www.sensata.com](http://www.sensata.com) SENSATA ASSUMES NO LIABILITY FOR APPLICATIONS ASSISTANCE OR THE DESIGN OF BUYERS' PRODUCTS. BUYER ACKNOWLEDGES AND AGREES THAT IT IS SOLELY RESPONSIBLE FOR COMPLIANCE WITH ALL LEGAL, REGULATORY AND SAFETY-RELATED REQUIREMENTS CONCERNING ITS PRODUCTS, AND ANY USE OF SENSATA COMPONENTS IN ITS APPLICATIONS, NOTWITHSTANDING ANY APPLICATIONS-RELATED INFORMATION OR SUPPORT THAT MAY BE PROVIDED BY SENSATA.

Mailing Address: Sensata Technologies, Inc., 529 Pleasant Street, Attleboro, MA 02703, USA.

## CONTACT US

### Americas

+1 508 236 2551  
 electrical-protection-sales@  
 sensata.com

### Europe, Middle East & Africa

+3 174 357 8156  
 info-sse@list.sensata.com

### Asia Pacific

EP\_Asia\_Public@list.sensata.  
 com

**China:** +86 (21)2306 1651

**India/ Middle East:** +91  
 (40)4033 9611

**Japan:** +81 (45)277 7104

**Korea:** +82 (53) 644 9685