

AV series

Security pushbutton switches •
 Ø 19 or 22 mm • illuminated momentary NC/NO



DISTINCTIVE FEATURES

- With illuminated ring
- Momentary NC/NO
- Solder lug, flying lead or cable terminals
- Marking available on request



ENVIRONMENTAL SPECIFICATIONS

- Optional front panel sealing : IP67 according to IEC 60529
- Operating temperature : -30 °C to +85 °C (-22 °F to +185 °F)



ELECTRICAL SPECIFICATIONS

- Max. current/voltage rating with resistive load : 1 A 30 VDC
- LED voltage : 12 VDC, 24 VDC or 48 VDC (If not supplied by APEM, a resistor must be series-connected by the user)**
- Initial contact resistance : 100 mΩ max.
- Insulation resistance : 10 MΩ min. at 500 VDC
- Dielectric strength : 500 Vrms 50 Hz min. between terminals
 1,000 Vrms 50 Hz min. between terminals and frame
- Electrical life : 250,000 cycles at full load

** Resistor value = $\frac{\text{supply voltage} - \text{LED forward voltage}}{\text{LED forward current}}$



GENERAL SPECIFICATIONS

- Travel : 2 mm ± 0.3 mm (.003)
- Operating force : 5 N ± 2 N
- Torque : 5 Nm min. - 14 Nm max. applied to nut
- Panel thickness : 1 (.039) to 6 mm (.236) max.
- Low level or mechanical life : 1,000,000 cycles
- Hand soldering : 350 °C (662 °F), 5 seconds max.

The company reserves the right to change specifications without notice.



AV series

Security pushbutton switches •
Ø 19 or 22 mm • illuminated momentary NC/NO

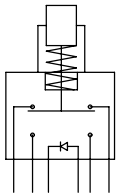


MATERIALS

- Case : polyamide, glass filled
- Contacts : silver
- Bushing : see following pages
- Actuator : see following pages
- Elastomeric membrane : silicone
- LED



ELECTRICAL FUNCTIONS



NC/NO



MOUNTING

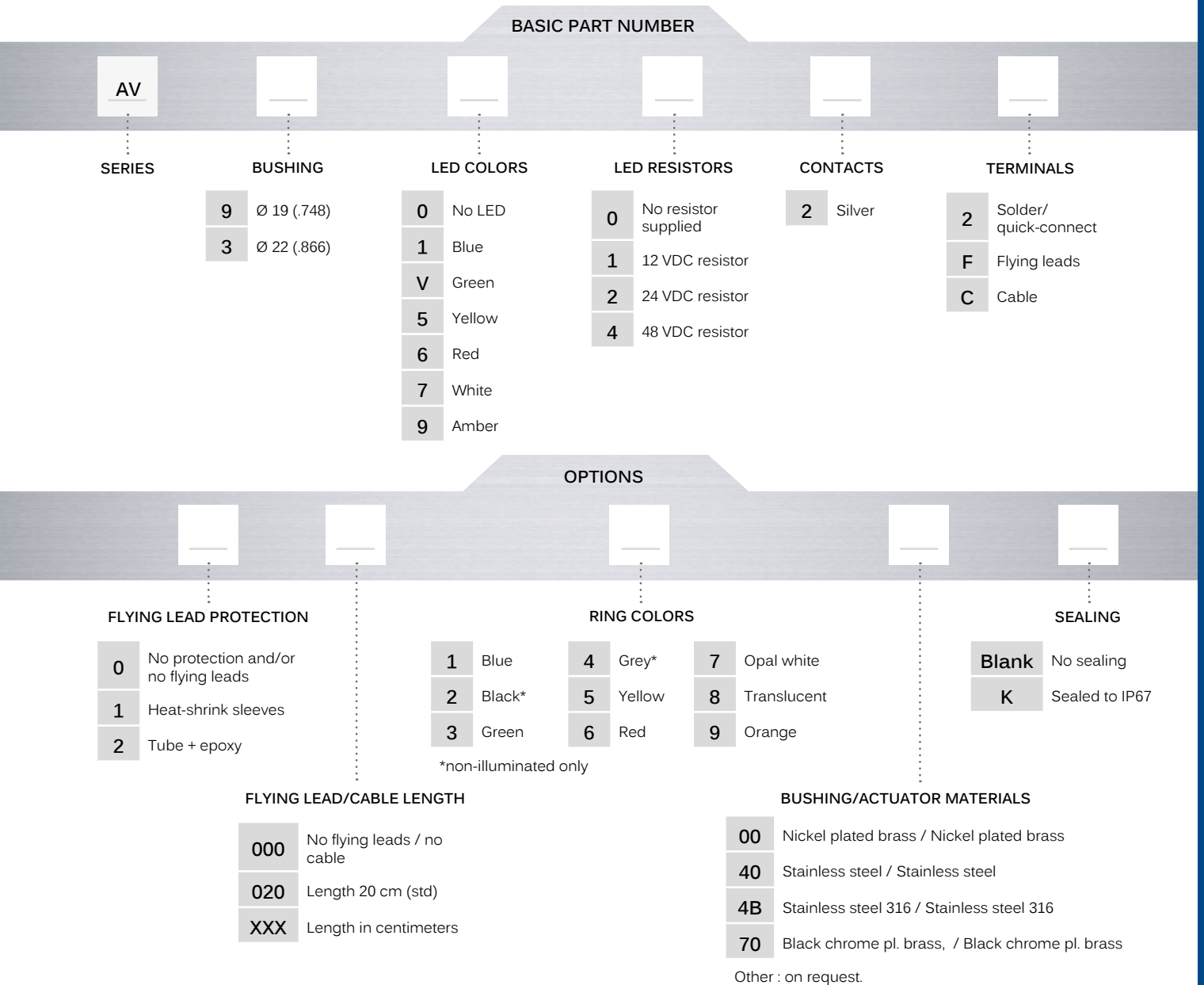
- Panel cut-out : Ø 19.2 mm (.755) or Ø 22.2 mm (.874)
- Min. pitch for matrix mounting : 30 mm x 30 mm (1.181x1.181)

AV series

Security pushbutton switches •
 Ø 19 or 22 mm • illuminated momentary NC/NO



BUILD YOUR PART NUMBER



ABOUT THIS SERIES

On the following pages, you will find successively basic part numbers of switches and options in the same order as in above chart.

- Notice:** please note that not all combinations of above numbers are available. Refer to the following pages for further information.
- Mounting accessories:** standard hardware supplied : 1 hex nut. Standard and special hardware is presented in the "Hardware" section of website.

AV series

Security pushbutton switches •
 Ø 19 or 22 mm • illuminated momentary NC/NO

BUSHING Ø 19 (.748) - FLAT ACTUATOR - SOLDER LUG TERMINALS



Illuminated*
AV9•022

Non-illuminated
AV90022

* select LED color on previous page - No LED resistor supplied on this model.

BUSHING Ø 19 (.748) - FLAT ACTUATOR - FLYING LEAD TERMINALS



Illuminated*
AV9••2F

Non-illuminated
AV9002F

* select LED color & resistor on previous page.

BUSHING Ø 19 (.748) - FLAT ACTUATOR - CABLE TERMINALS



Illuminated *
AV9••2C

Non-illuminated
AV9002C

* select LED color & resistor on previous page.

BUSHING Ø 22 (.866) - FLAT ACTUATOR - SOLDER LUG TERMINALS

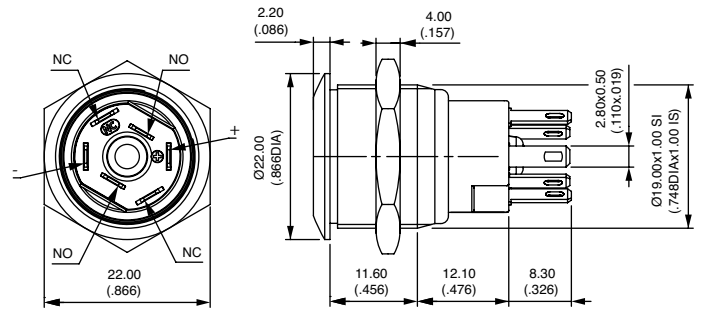


Illuminated*
AV3•022

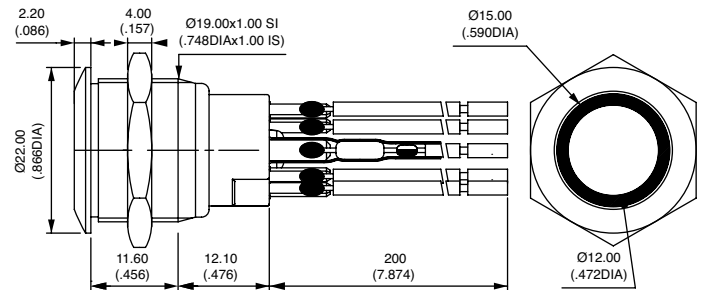
Non-illuminated
AV30022

* select LED color on previous page - No LED resistor supplied on this model.

Hex nut 22 (.866) across flats

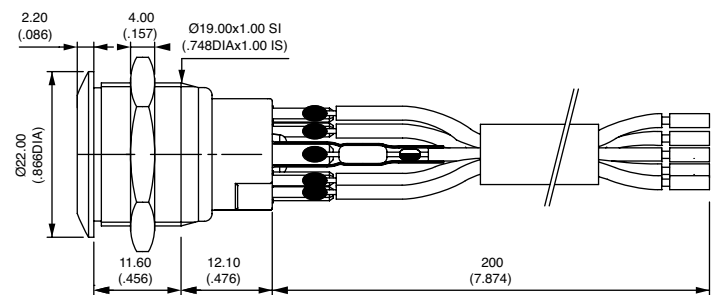


Hex nut 22 (.866) across flats

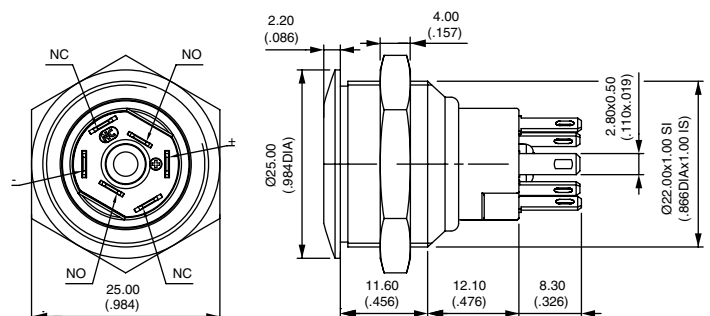


Wire colours : black: NC, orange: NO, red: LED anode (+), blue : LED cathode (-)

Hex nut 22 (.866) across flats



Hex nut 25 (.984) across flats



Security pushbutton switches •
 Ø 19 or 22 mm • illuminated momentary NC/NO

BUSHING Ø 22 (.866) - FLAT ACTUATOR - FLYING LEAD TERMINALS



Illuminated*
AV3••2F



Non-illuminated
AV3002F



* select LED color & resistor on previous page.

BUSHING Ø 22 (.866) - FLAT ACTUATOR - CABLE TERMINALS



Illuminated*
AV3••2C

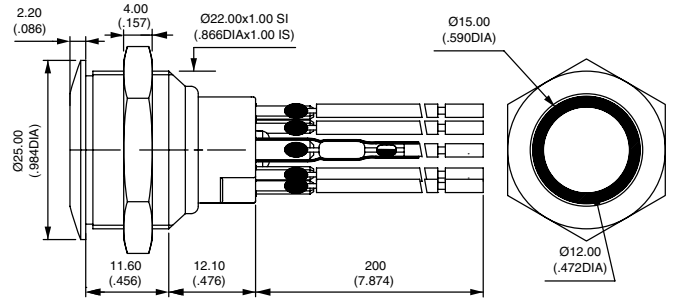


Non-illuminated
AV3002C



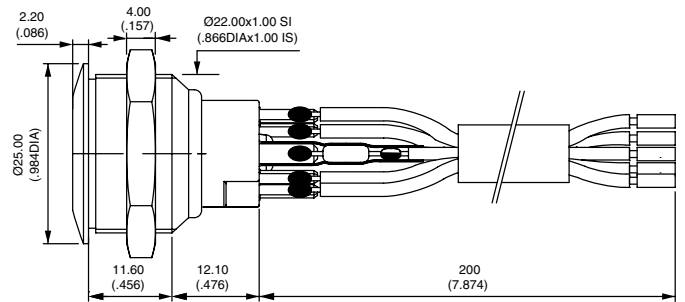
* select LED color & resistor on previous page.

Hex nut 25 (.984) across flats



Wire colours : black : NC, orange : NO, red : LED anode (+), blue : LED cathode (-)

Hex nut 25 (.984) across flats



FLYING LEAD PROTECTION

BASIC P/N

- 0 No protection and/or no flying leads
- 1 Heat-shrink sleeves
- 2 Tube + epoxy

FLYING LEAD/ CABLE LENGTH

BASIC P/N

- 000 No flying leads / no cable
- 020 Length 20 cm (standard)
- XXX Length in centimeters

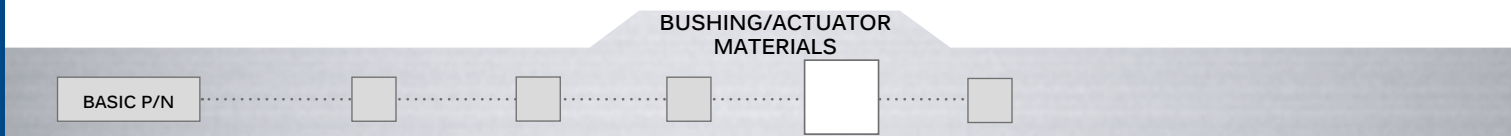
RING COLORS

BASIC P/N

- | | | | | | |
|---|---------|---|--------|---|------------------|
| 1 | Blue | 4 | Grey * | 7 | Opal white (std) |
| 2 | Black * | 5 | Yellow | 8 | Translucent |
| 3 | Green | 6 | Red | 9 | Orange |
- * non-illuminated only

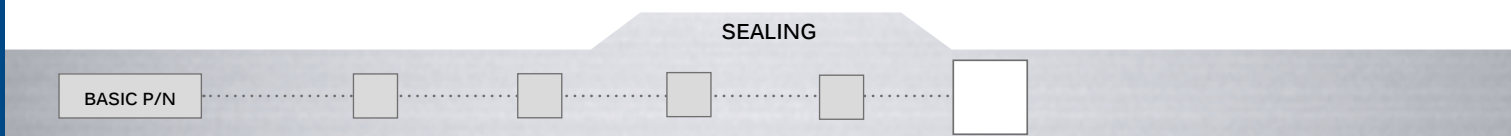
AV series

Security pushbutton switches •
 Ø 19 or 22 mm • illuminated momentary NC/NO



CODE	BUSHING	ACTUATOR
00 (std)	Nickel plated brass	Nickel plated brass
40	Stainless steel 303	Stainless steel 303
4B	Stainless steel 316	Stainless steel 316
70	Chrome plated brass, black	Chrome plated brass, black

Other : on request.



Blank No sealing
K Front panel sealing to IP67

OPTION K



- ① - internal membrane
- ② - external gasket