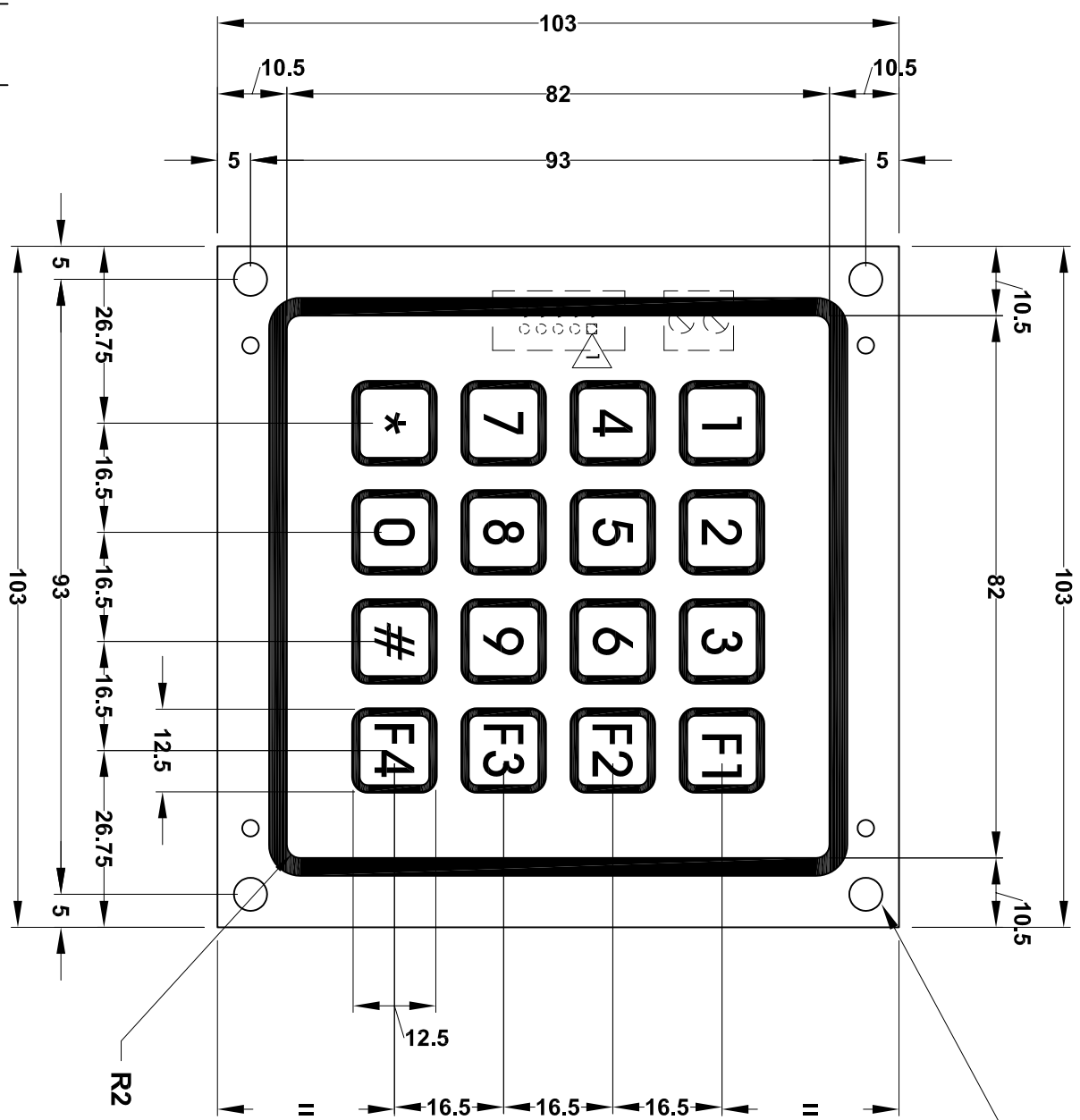


TOP SIDE

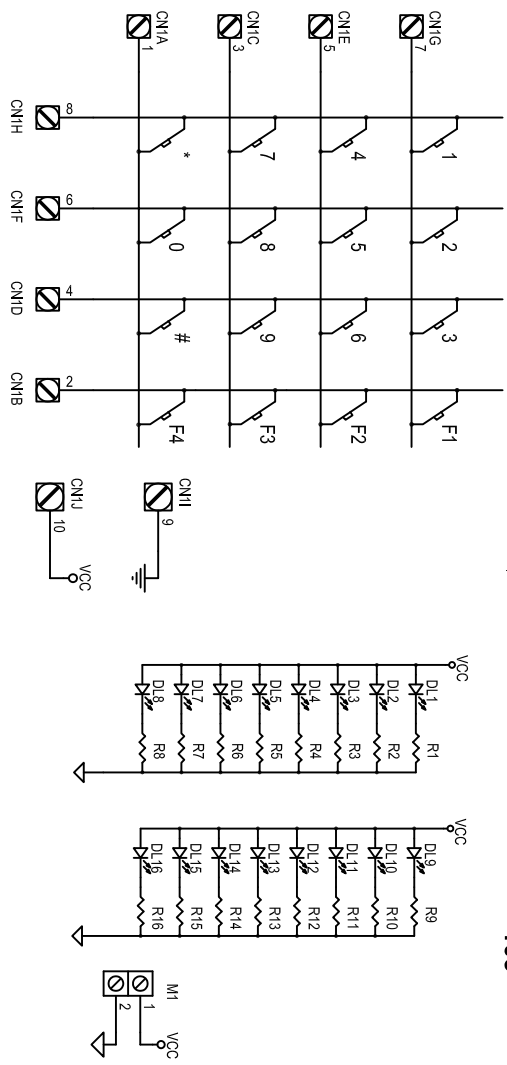
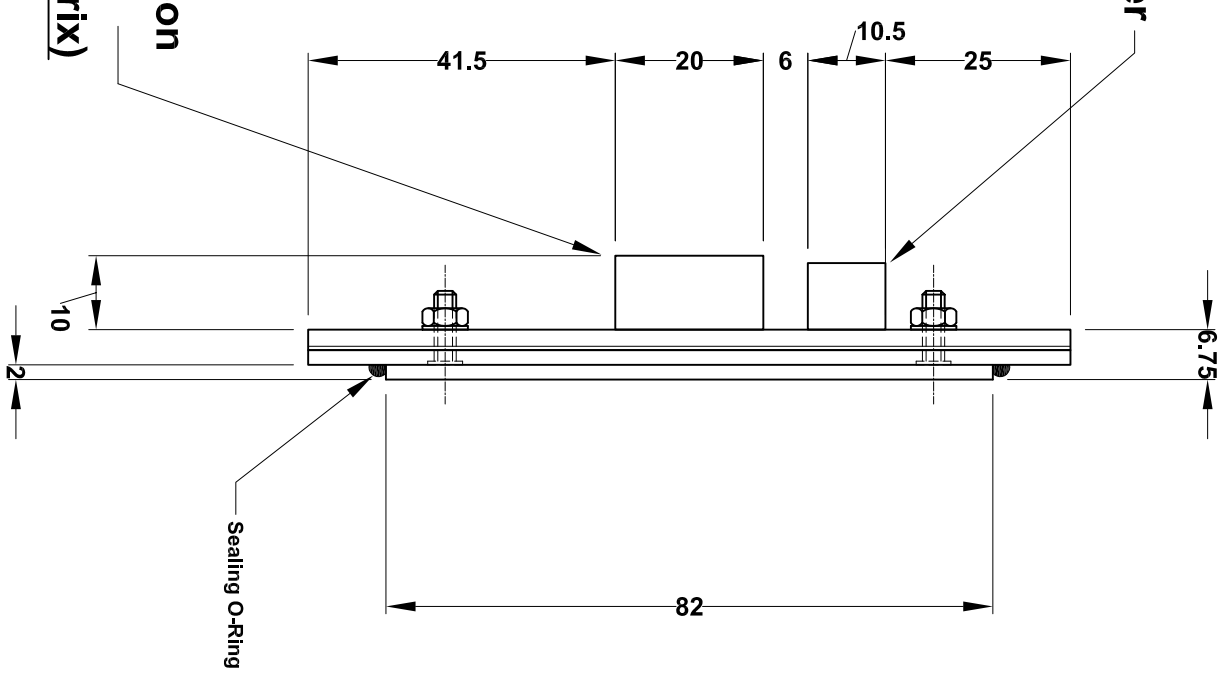
Cut-Out 82,5 x 82,5 R=2.25

Panel thickness = 2 mm



N° 4 fixing holes Ø5 mm
(M1) Backlight Power
Supply terminals

(CN1) 10 Pins ribbon
plug connector
(4 x 4 Output matrix)



Rev.	DATE	Signature	Description of modifications	Approved
1	XXXXXX	///////	///////	

<p>THIS DRAWING IS RESERVED PROPERTY OF APEM ITALIA S.r.l. - DO NOT SCALE DRAWING -</p>		<p>ALL DIMENSIONS IN mm UNLESS OTHERWISE STATED - TOLERANCES UNLESS OTHERWISE STATED: LINEAR ±0.1 mm ANGULAR ±30°</p>	
REPRODUCTION FORBIDDEN	DATA	SIGNATURE	DESCRIPTION
DRAWN	09/10/2006	P. Mollo	<h2>T16PQRL NEW Yellow Backlight ASSEMBLY</h2>
CHECKED		xxxxxx	
APPROVED		xxxxxx	
<p>APEM ITALIA S.r.l. Via G. Marconi 147/G 12030 MARENÈ (CN) - ITALIA Tel. +39.0172.743170 Fax. +39.0172.743171 apem.italia@apem.it www.apem.it</p>		<p>PART. N. 59800023 59800023 .DWG</p>	
<p>SCALE 1:1</p>		<p>REV. 0</p>	
<p>SHEET 1/1</p>		<p>INDEX REF. OF</p>	